

Plan View

EXTERNALLY LIT WINDSOCK MAST

DESCRIPTION [FAA L807 STYLE I-A SIZE 1/2]

Pollite windsock masts have been developed to fully comply with their ICAO annex 14 vol 1 wind direction indicator requirements and the most recent frangibility stipulations. In addition Pollite provide windsock masts that comply with the CAA CAP168 and the FAA AC 150/5345-27D TYPE L-806 and 807 design criteria. All Pollite windsock masts are manufactured from glass fibre, finished with a UV resistant gel coat. Each pole has a unique break system incorporated within the structure which has been fully tested and independently certified as frangibility compliant. Our externally lit masts are engineered to provide the correct levels of illumination recommended by CAP 168.

FEATURES

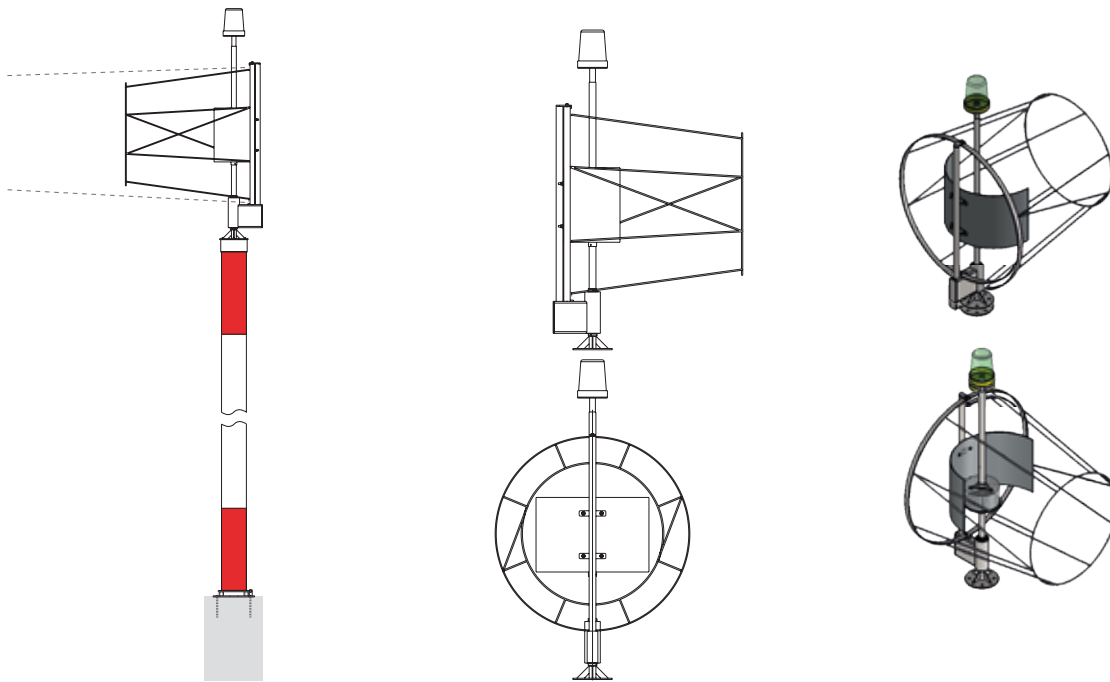
- » Maintenance Free Mast
- » UV Resistant Gel Coated Finish
- » Corrosion Free
- » Temperature / Weather Resistant
- » No Electro Magnetic Interference
- » Frangibility Tested

LIGHTING

- » 4 x 70w IP65 SON
- » 4 x 20w LED Flood Lights and Support Arms
- » Obstruction Beacon - 100,000hr 3w LED (ICAO & FAA Approved)
- » Photocell Activated

SPECIFICATION (mm)

Pole Diameter	140/180
Wall Thickness	4
Base Plate Measurement	180 x 180 / 400 x 400
Base Plate Thickness	10
Ground Rod Length (Total)	500
Height of Windsock Above Ground	1800 - 6000
Frame Material	S316 Grade Stainless Steel
Bearings	360° Self Lubricating
Windsock Throat Opening	600 - 900
Windsock Length	2400 - 3600



INTERNALLY LIT WINDSOCK MAST MkII

DESCRIPTION [FAA L807 STYLE I-B SIZE 2]

The new Pollite Internally lit WDI incorporates the latest in LED technologies and uses a single housed bulb with 2 separate banks of lights. The unique design allows the light to remain fixed, with only the frame and reflector rotating, meaning no cable twisting or the requirement for slip rings.

The 360 degree sealed bearings are completely maintenance free and the entire unit is stainless steel for superior corrosion resistance. The mast is completely fibreglass and ICAO approved for frangibility, deflection and strength. The windsock can be manufactured in any colour to allow this to be seen in all environments and backgrounds both during the day, and throughout darkness.

FEATURES

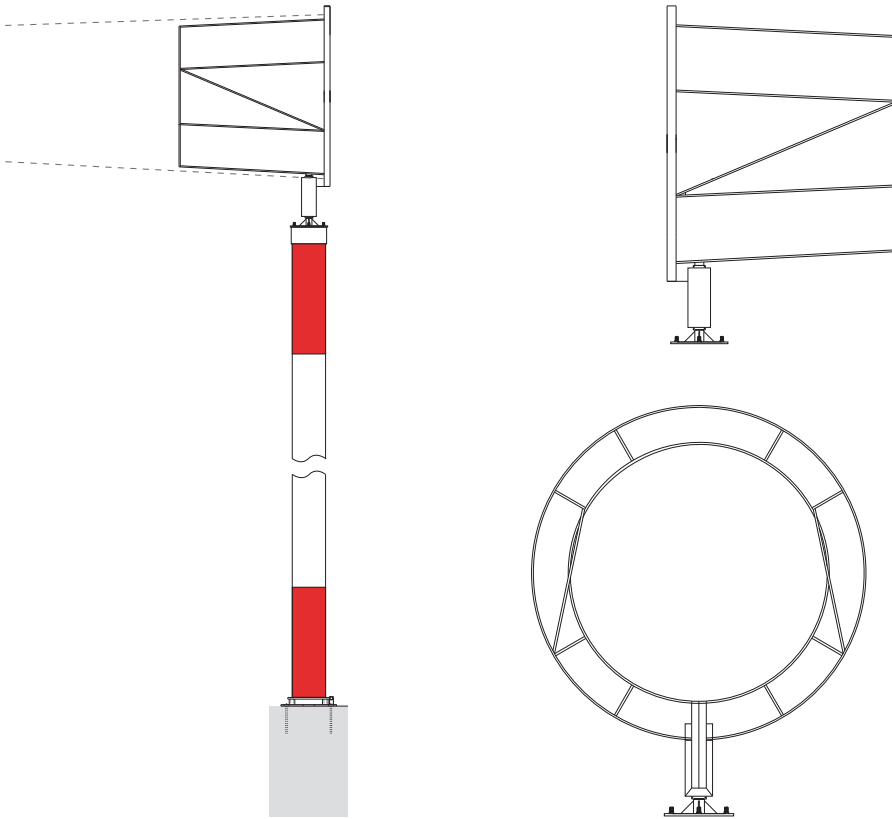
- » Maintenance Free Design
- » UV Resistant Gel Coat Finish
- » Corrosion Free
- » Frangibility Tested And ICAO Approved

LIGHTING

- » L810 Approved Obstruction Light
- » Low Consumption
- » 5000Cd High Intensity
- » Long Lifetime, >10Years Expectancy
- » Stabilised Light Output
- » Anodised Aluminium Body With Heat Sink For Natural Draft Air Cooling

SPECIFICATION (mm)

Pole Diameter	140/180
Wall Thickness	4
Base Plate Measurement	400 X 400
Base Plate Thickness	10
Ground Rod Length (Total)	500
Height Of Windsock Above Ground	1800 - 6000
Frame Material	S316 Grade Stainless Steel
Bearings	360° Self Lubricating
Windsock Throat Opening	900
Windsock Length	3600



BASIC UNLIT WINDSOCK MAST (EXTENDED FRAME)

DESCRIPTION [FAA L807 STYLE II SIZE 1/2]

Pollite windsock masts have been developed to fully comply with their ICAO annex 14 vol 1 wind direction indicator requirements and the most recent frangibility stipulations. In addition Pollite provide windsock masts that comply with the CAA CAP168 and the FAA AC 150/5345-27D TYPE L-806 and 807 design criteria. All Pollite windsock masts are manufactured from glass fibre, finished with a UV resistant gel coat. Each pole has a unique break system incorporated within the structure which has been fully tested and independently certified as frangibility compliant.

FEATURES

- » Maintenance Free Mast
- » UV Resistant Gel Coated Finish
- » Corrosion Free
- » Temperature / Weather Resistant
- » No Electro Magnetic Interference
- » Frangibility Tested

SPECIFICATION (mm)

Pole Diameter	125/140/180
Wall Thickness	4
Base Plate Measurement	180 x 180 / 400 x 400
Base Plate Thickness	10
Ground Rod Length (Total)	500
Height of Windsock Above Ground	1800 - 6000
Frame Material	S316 Grade Stainless Steel
Bearings	360° Self Lubricating